

Extraordinarily reliable

ISETTA LX



ISETTA 9R LX

ISETTA LX represents the ideal way to sell gelato thanks to its exclusive design with the minimum of detail and to the extreme reliability of ISA.

- UL/NSF Approved
- Models available: 4-6R-7R-9R-12R
- Climatic class 4+ (+95°F / 70% R.H.)
- Modern design ideal for impulse sales
- Tempered curved glass
- Internal lighting
- Rear pivoting door
- Pan display and underneath pan storage is an option when using 5 lt pans
- Automatic defrosting
- Electronic control board
- 60 mm thick polyurethane insulation
- Refrigerated storage compartment on models: 6R-7R-9R-12R

ISETTA LX

Ice cream cabinet
with static refrigeration
and curved glass



ISETTA 7R LX

Option

- Cone holder
- Scoop-washer with water tap and console
- S/S pan 4,75 lt (0,167 cu Ft.)
- S/S pan 5 lt (0,176 cu Ft.)
- Kit pan supports 4,75 lt
- Front sticker D1
- Front sticker D2



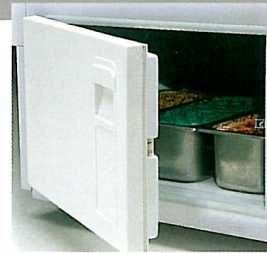
Scoop-washer



Second row of containers underneath



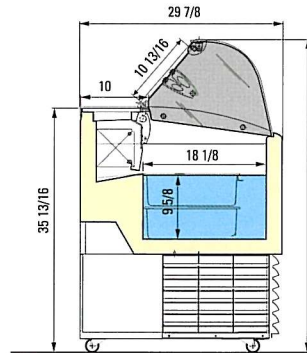
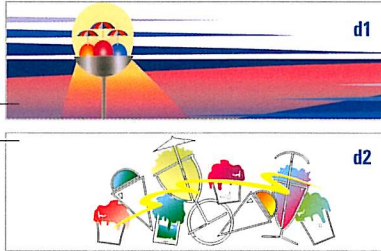
Cone holder



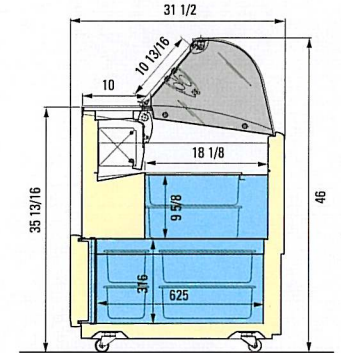
Storage room



Front stickers



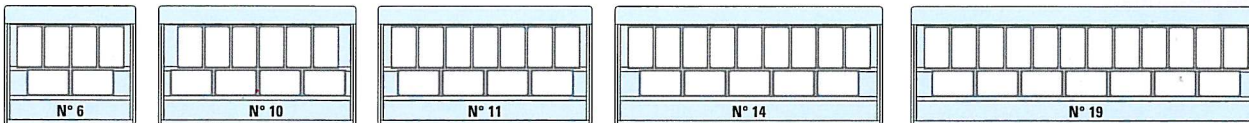
MOD. LX 4



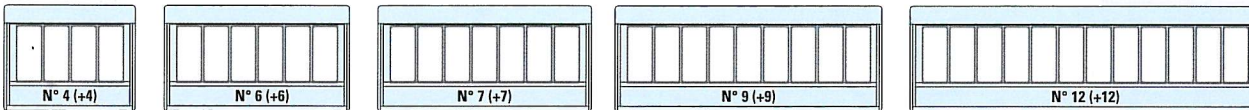
MOD. LX 6R, 7R, 9R, 12R

Containers composition

0,167 cu. Ft



0,167 cu. Ft. (4,75 lt)



0,176 cu. Ft. (5 lt)

0,176 cu. Ft

Technical features

	4	6R	7R	9R	12R
Dimensions inch.:					
Length	32 7/16 (824 mm)	46 5/8 (1184 mm)	53 5/16 (1354 mm)	65 5/16 (1659 mm)	83 7/16 (2119 mm)
Depth	29 15/16 (760 mm)	31 1/2 (800 mm)	31 1/2 (800 mm)	31 1/2 (800 mm)	31 1/2 (800 mm)
Height	46 (1176 mm)	46 (1176 mm)	46 (1176 mm)	46 (1176 mm)	46 (1176 mm)
Containers display capacity 0,167 cu. Ft	6	10	11	14	19
Containers display capacity 0,176 cu. Ft	4 (+4)*	6 (+6)*	7 (+7)*	9 (+9)*	12 (+12)*
Storage capacity pan 4,75 lt (0,167 cu. Ft)	-	6	8	10	14
Storage capacity pan 5 lt (0,176 cu. Ft)	-	4+4	6+6	7+7	10+10
Product temperature °F	3.2 (-16°C) / 7 (-14°C)	3.2 (-16°C) / 7 (-14°C)	3.2 (-16°C) / 7 (-14°C)	3.2 (-16°C) / 7 (-14°C)	3.2 (-16°C) / 7 (-14°C)
Refrigeration	static	static	static	static	static
Defrosting	electrical	electrical	electrical	electrical	electrical
Climatic class N° / °F / % R.H.	4+ / 95 / 70	4+ / 95 / 70	4+ / 95 / 70	4+ / 95 / 70	4+ / 95 / 70
Voltage / Hz / Phase	110 / 60 / 1	110 / 60 / 1	110 / 60 / 1	220 / 60 / 1	220 / 60 / 1
Electrical input (standard) W / A	700 / 7,5	800 / 9,2	830 / 9,3	1000 / 7,0	1200 / 6,5
Electrical input (defrosting) W / A	1000 / 8,2	1000 / 8,2	1000 / 8,2	1200 / 6,1	1800 / 9,6
Net weight lbs	151 (69 kg)	213,65 (97 kg)	224,66 (102 kg)	352,42 (160 kg)	477 (217 kg)

*Load over

C 7.000-0007

Due to the quality advancement programmes and continuous scientific research ISA reserves the right to modify any technical specifications without notice



For more information call:

West Coast: Taylor Freezers of California
800-927-7704 - lcapalbo@taylorfreezers.com



East Coast: Taylor Freezers of New England
800-245-4002 - edherbert@taylornewengland.com



ISA S.p.A. Via del Lavoro, 5
06083 Bastia Umbra PG - ITALY
tel +39 075 80171
fax +39 075 8000900
www.isaitaly.com



your visible value